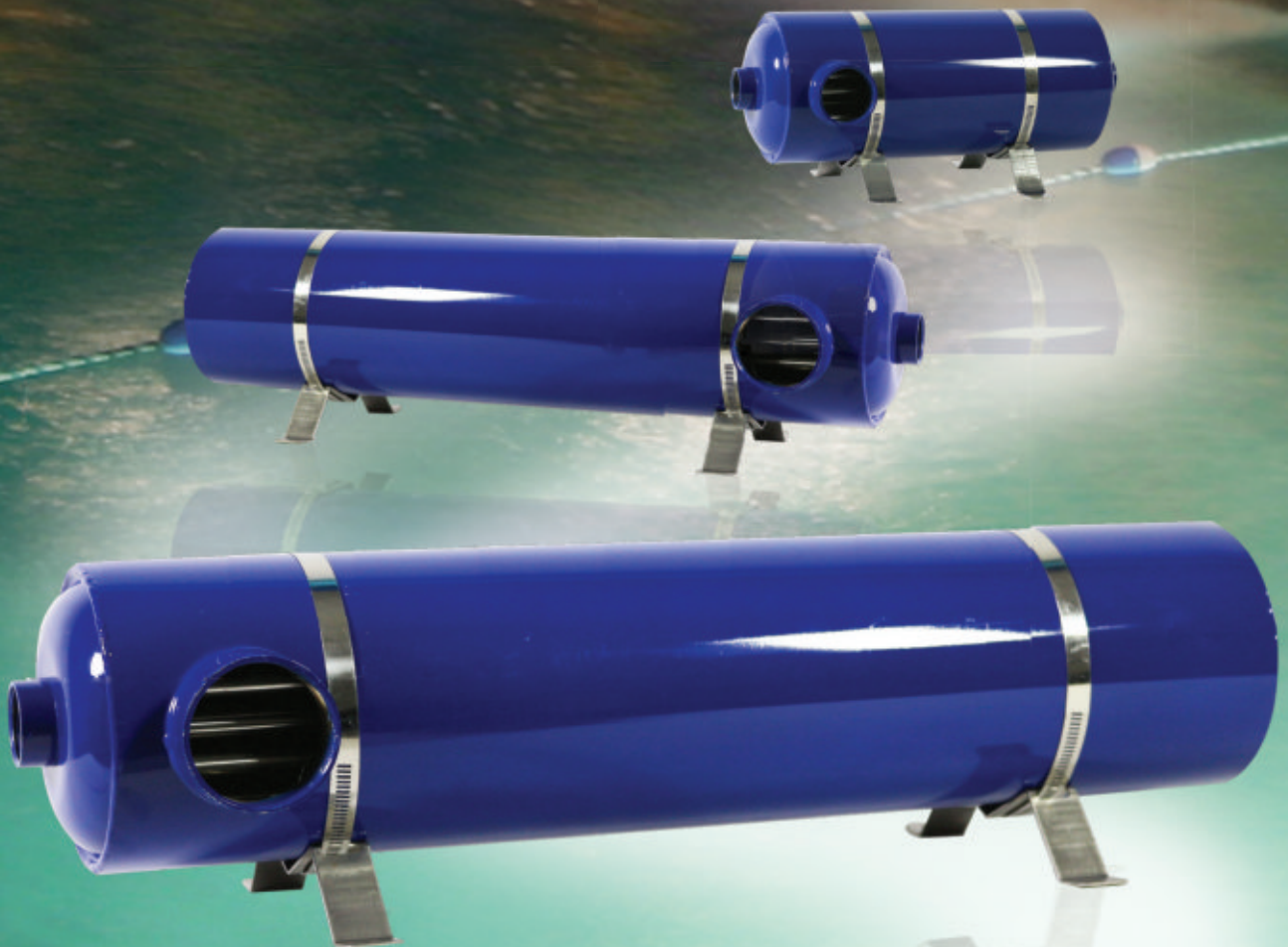




EMAUX HE SERIES HEAT EXCHANGER

*H*igh Quality Acid-Proof Stainless Steel
*P*recision-welded Outer Jacket
*C*onnects to Different Kinds Of Boilers

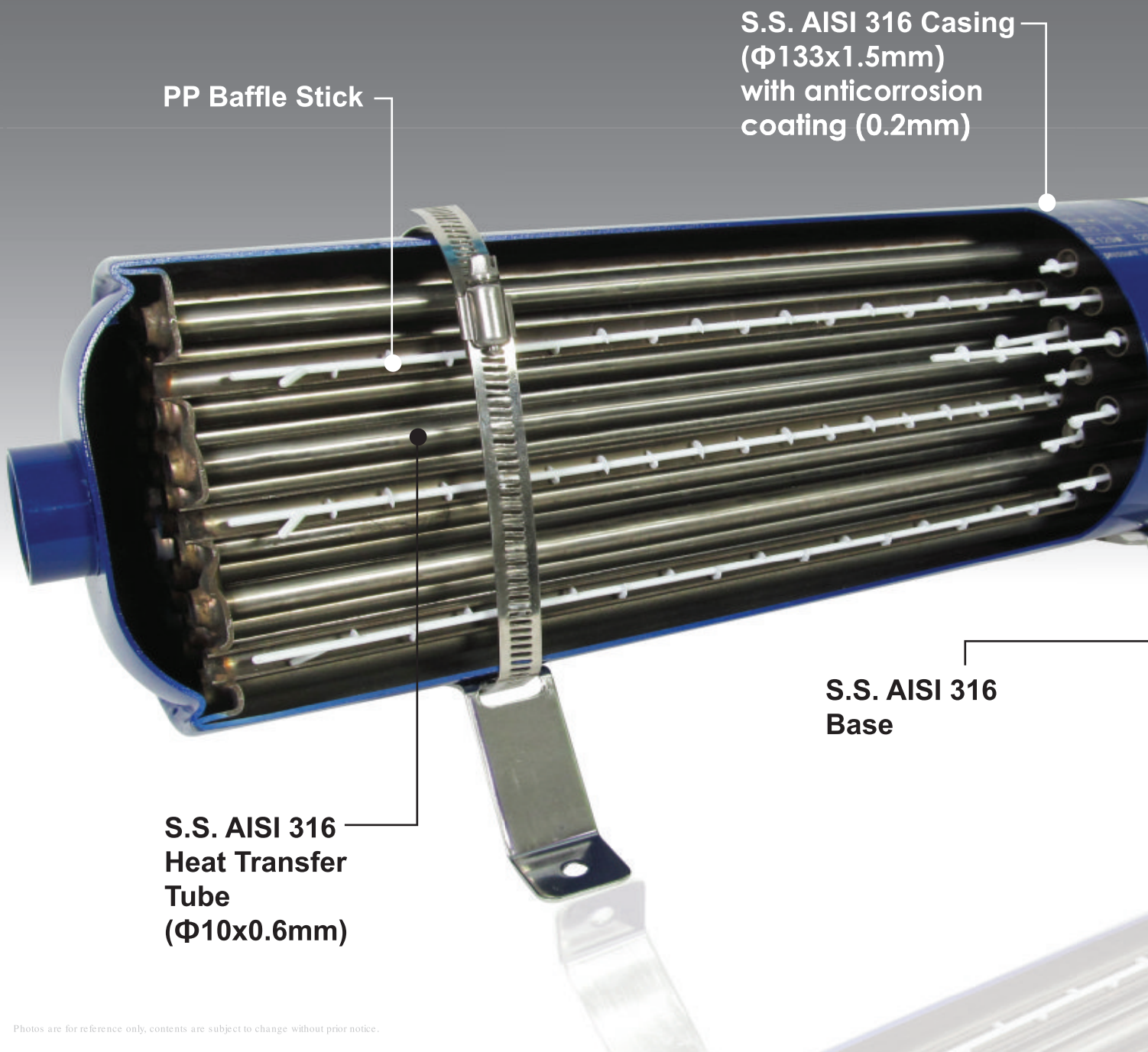


HE Series Heat Exchanger

A heat exchanger is used to continually transfer heat from one medium to another in order to carry process energy. Emaux HE series heat exchanger produce high output and have excellent heat transfer capability. All models can be installed and connected to different kinds of boilers, heat pumps and solar panel systems.

Features

- ✓ High quality acid-proof stainless steel AISI 316
- ✓ Precision-welded outer jacket
- ✓ Seamless pipes equipped with flow restrictors for high heat transfer capacity
- ✓ Adjustable brackets for simpler and flexible installation
- ✓ Four size: 40, 60 75, 120 kW, suitable for swimming pools of up to 450m³
- ✓ Connects to different kinds of boilers, heat pumps and solar panel systems



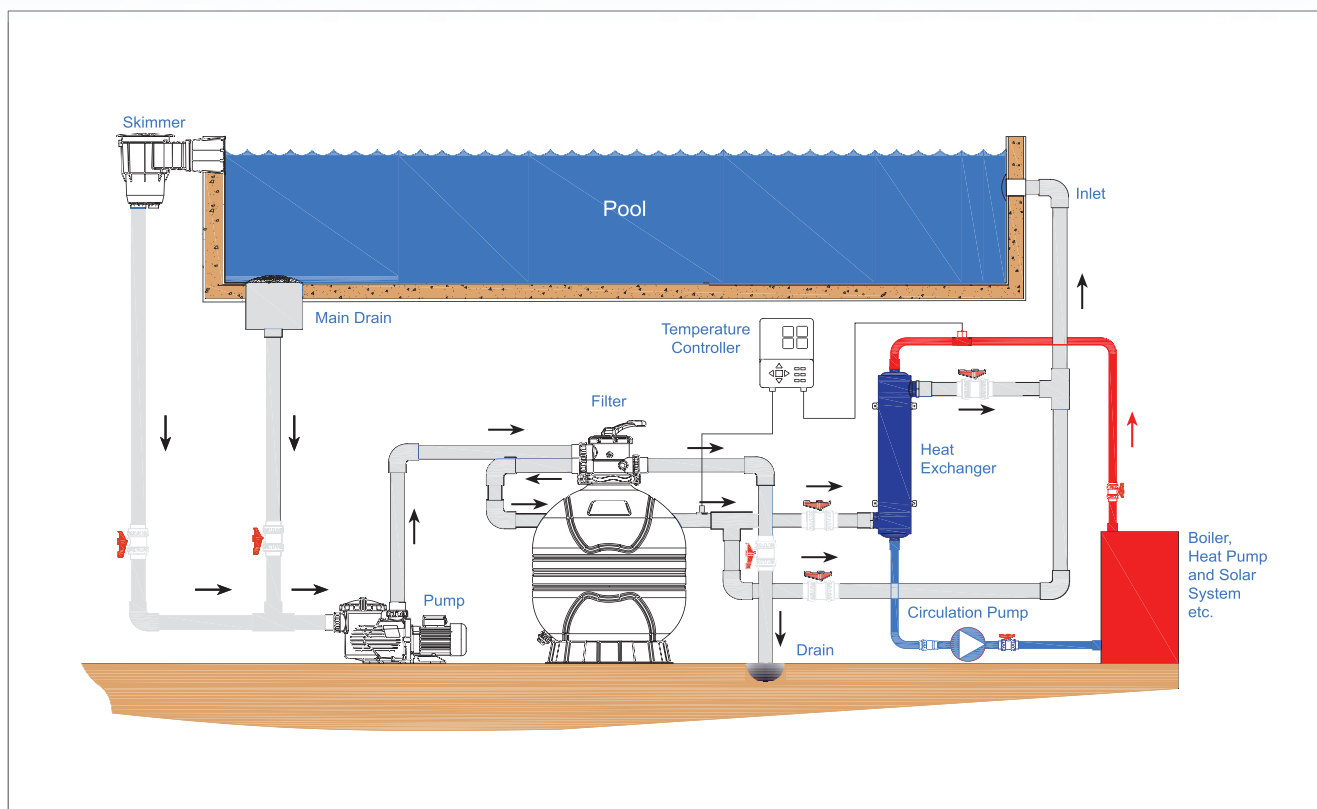
PP Baffle Stick

S.S. AISI 316 Casing
(Φ 133x1.5mm)
with anticorrosion
coating (0.2mm)

S.S. AISI 316
Heat Transfer
Tube
(Φ 10x0.6mm)

S.S. AISI 316
Base

Installation



Technical Data

Code	Model	Capacity		Weight	Hot Water Flow (l/min)	Pool Water Flow (l/min)
		kw	kBtu/h	kg		
88540101	HE40	40	135	4.0	25	200
88540102	HE60	60	200	5.2	30	250
88540103	HE75	75	260	6.4	35	300
88540104	HE120	120	400	10.9	50	360

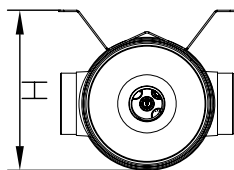
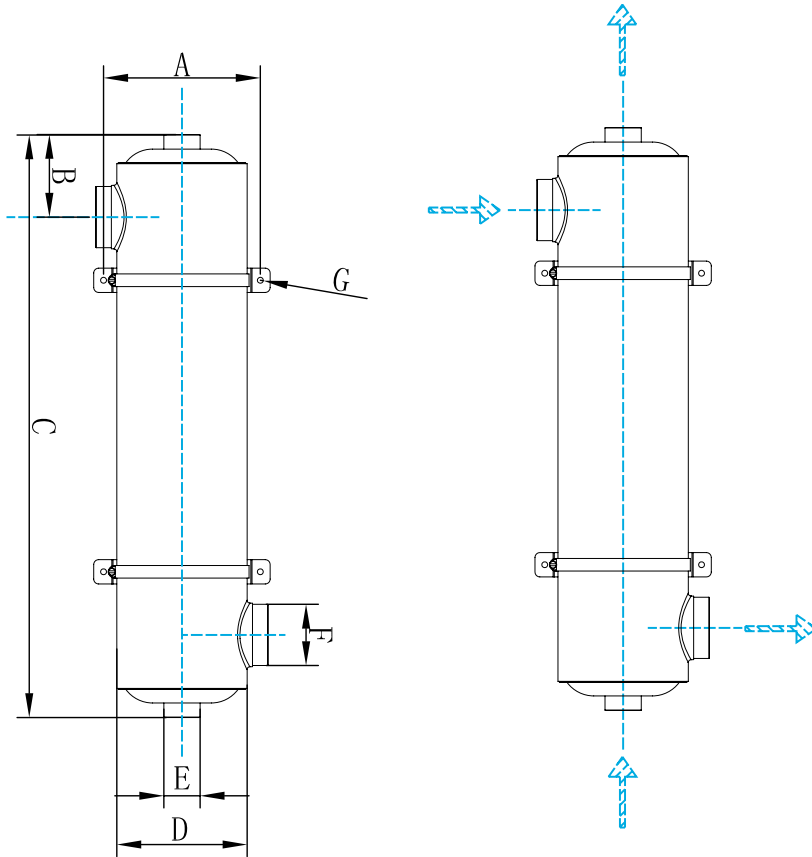
Testing Pressure

Pool Water Circuit: 10 Bar

Hot Water Circuit: 5 Bar

Product Dimension

Code	Model	A	B	C	D	E	F	G	H
88540101	HE40	160mm	75mm	360mm	Φ133mm	1"	1.5"	Φ6mm	165mm
88540102	HE60	160mm	75mm	480mm	Φ133mm	1"	1.5"	Φ6mm	165mm
88540103	HE75	160mm	85mm	600mm	Φ133mm	1"	2"	Φ6mm	165mm
88540104	HE120	160mm	85mm	1070mm	Φ133mm	1.5"	2"	Φ6mm	165mm



Available from:

 **Emaux**
water technology

www.emauxgroup.com

Waterpark & Aquarium / Competition Pool / Residential Pool / Commercial Pool / Water Treatment / Water Feature

All specification are subject to change without notice © Copyright 2013 Emaux Swimming Pool Equipment Co., Ltd

Photos are for reference only, contents are subject to change without prior notice.